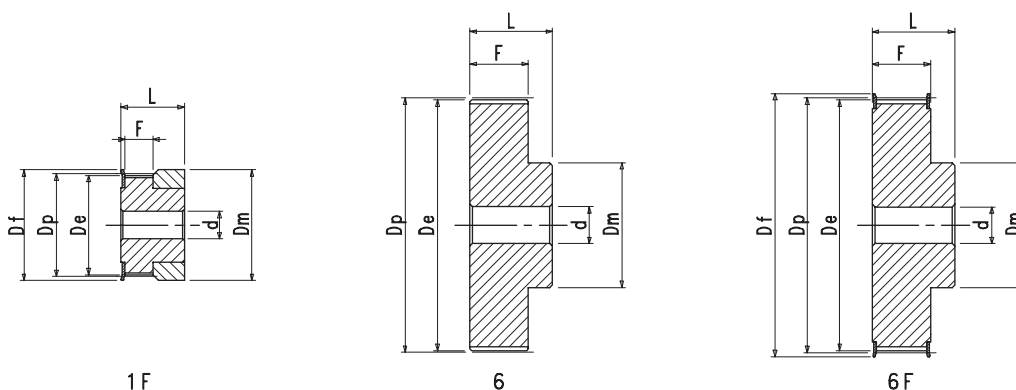


POLIAS T2,5 10

Faça download de nossos desenhos padrões.



T2,5 10 Referência	Número de Dentes	Dp	De	Df	Dm	F	L	d	Peso kg
16 T 2,5/12-1F	12	9,55	9,00	13,0	12	9	16	—	0,004
16 T 2,5/14-1F	14	11,14	10,60	15,0	14	9	16	—	0,006
16 T 2,5/15-1F	15	11,94	11,40	15,0	15	9	16	—	0,006
16 T 2,5/16-1F	16	12,73	12,20	16,0	16	9	16	—	0,006
16 T 2,5/18-6F	18	14,32	13,80	17,5	10	10	16	4	0,005
16 T 2,5/19-6F	19	15,12	14,60	18,0	10	10	16	4	0,006
16 T 2,5/20-6F	20	15,92	15,40	19,5	11	10	16	4	0,006
16 T 2,5/22-6F	22	17,51	17,00	23,0	11	10	16	4	0,009
16 T 2,5/24-6F	24	19,10	18,55	23,0	12	10	16	4	0,020
16 T 2,5/25-6F	25	19,89	19,35	23,0	13	10	16	4	0,020
16 T 2,5/26-6F	26	20,69	20,15	25,0	14	10	16	4	0,020
16 T 2,5/28-6F	28	22,28	21,75	25,0	14	10	16	4	0,020
16 T 2,5/30-6F	30	23,87	23,35	28,0	16	10	16	6	0,020
16 T 2,5/32-6F	32	25,46	24,95	32,0	16	10	16	6	0,020
16 T 2,5/36-6F	36	28,65	28,10	36,0	20	10	16	6	0,030
16 T 2,5/40-6F	40	31,83	31,30	38,0	22	10	16	6	0,030
16 T 2,5/44-6	44	35,01	34,50	42,0	24	10	16	6	0,040
16 T 2,5/48-6	48	38,20	37,70	—	26	10	16	6	0,050
16 T 2,5/60-6	60	47,75	47,25	—	34	10	16	8	0,080